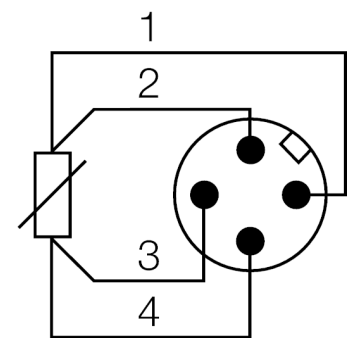


**Temperature measurement**  
**Probe**  
**TP-203B-CF-H1141-L200/D805**

Pt-100 probe acc.to DIN EN 60751  
Vibration and shock-resistant  
Class A for temperatures < 350 °C  
Class B for temperatures > 350 °C  
Connection to TS, TT and TC series as well as IM34, BL20 and BL67  
Mineral insulated probe cable  
4-wire technology

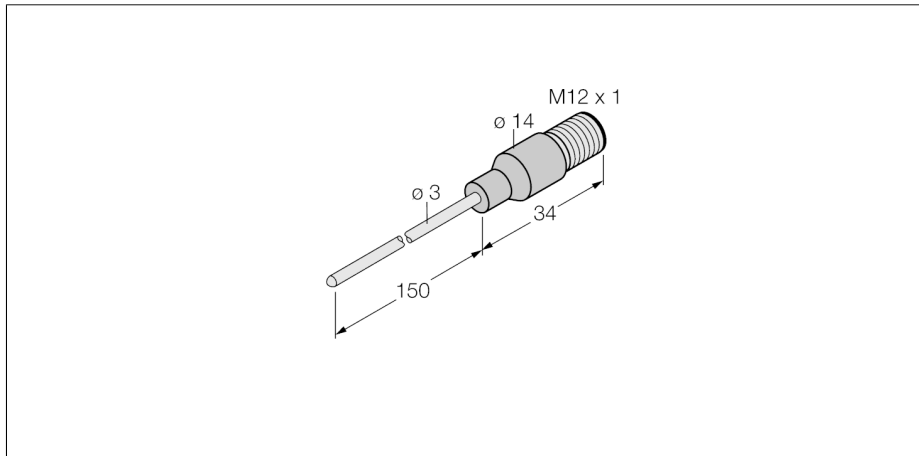
**Wiring diagram**



**General description**

Resistance thermometers come into operation when temperatures must be measured and monitored to control and optimize processes.

Typical applications are process plants, manufacturing facilities and units, as well as air-conditioning systems. The core element of the temperature sensors is a Pt 100 measuring resistor in 4-wire technology.

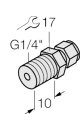


<b>Type</b>	TP-203B-CF-H1141-L200/D805
Ident-No.	9910520
<b>Temperature operating range</b>	-200...500 °C
Measuring element	Pt-100 platinum measuring element, DIN EN 60 751
Accuracy	Klasse B
Response time	t0.5 = 1.5 s/ t0.9 = 6.0 s in water @ 0.2 m/s
Immersion depth	200 mm
<b>Reverse polarity protection</b>	yes
<b>Protection class</b>	IP67
<b>Housing material</b>	Stainless-steel/plastic, V4A (1.4404)
Sensor material	stainless steel, AISI 316L
Pressure resistance	100 bar
Electrical connection	connector, M12 x 1
Mechanical connection	for compression ferrule fittings, protective tubing or direct mounting

**Temperature measurement  
Probe  
TP-203B-CF-H1141-L200/D805**



**Accessories**

Type code	Ident-No.	Short text	Dimension drawing
CF-M-3-G1/8-A4	9910405	Compression ferrule fittings for direct mounting of temperature probes	
CF-M-3-N1/8-A4	9910406	Compression ferrule fittings for direct mounting of temperature probes	
CF-M-3-G1/4-A4	9910407	Compression ferrule fittings for direct mounting of temperature probes	
CF-M-3-N1/4-A4	9910408	Compression ferrule fittings for direct mounting of temperature probes	